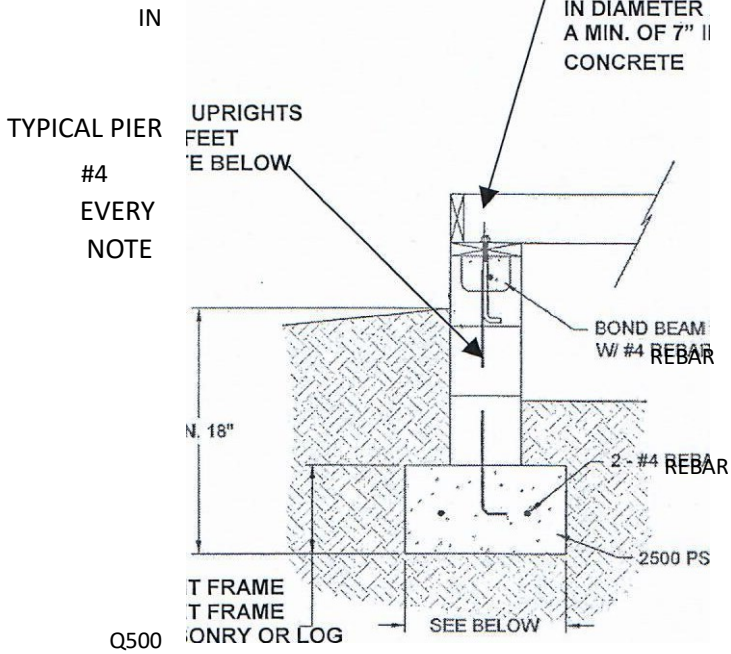


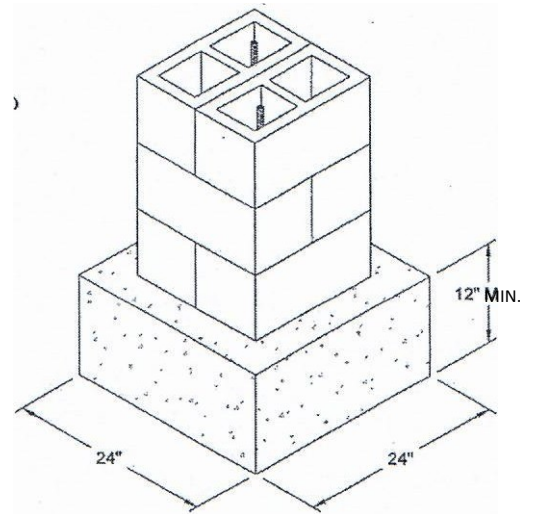
MINIMUM FOUNDATION REQUIREMENTS

ANCHOR BOLTS - 6' ON CENTER
AND LOCATED WITHIN 12" OF
ENDS OF PLATES.

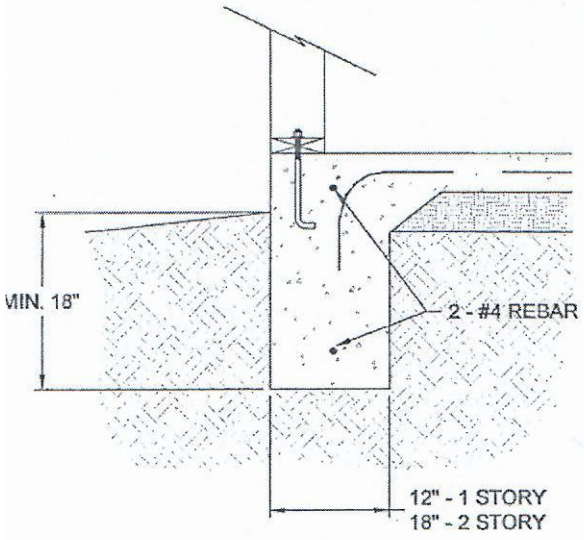
BOLTS SHALL BE AT LEAST 3/4"
DIAMETER AND SHALL EXTEND A MIN. OF 7" INTO
MASONRY OR
CONCRETE



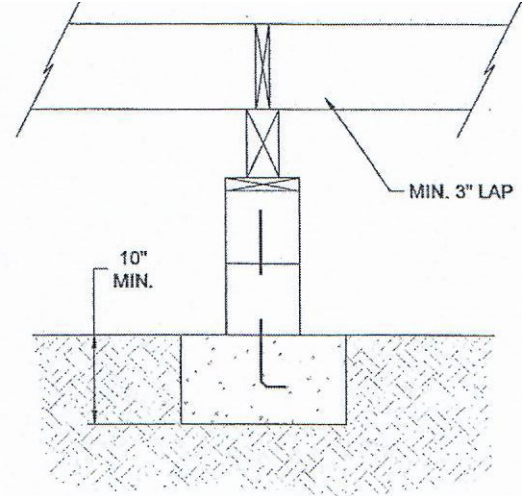
REBAR UPRIGHTS
4 FEET *SEE
BELOW



- 10" - 1 STORY LIGHT FRAME
- 12" -- 2 STORY LIGHT FRAME
- 12" 1-2 STORY MASONRY OR LOG
- OVER 2 STORY REQUIRES 18" - 1 STORY LIGHT FRAME ENGINEERING 24" - 2 STORY LIGHT FRAME
- 24" - 1-2 STORY MASONRY & LOG
- OVER 2 STORY REQUIRES ENGINEERING



*NOTE:



UPRIGHTS REQUIRE 90° BEND ON LOWER END WITH MINIMUM 3" PAST BEND PRE-BENT UPRIGHTS TO BE ON JOB SITE AT TIME OF INSPECTION.

MIN.
3"